

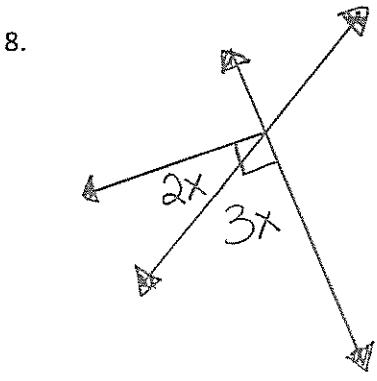
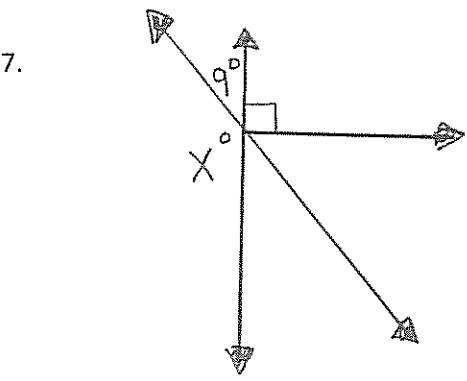
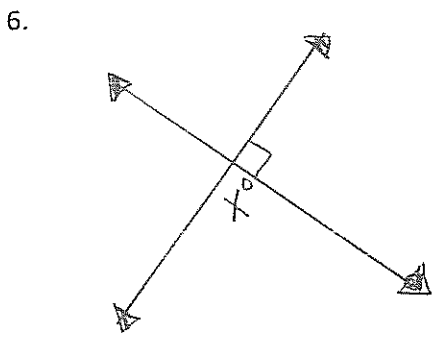
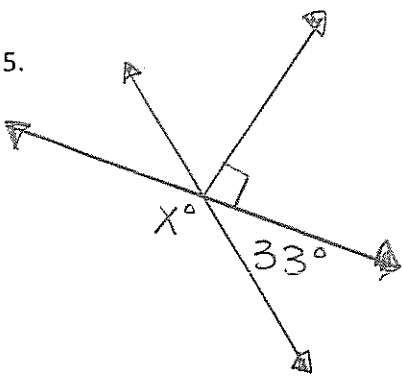
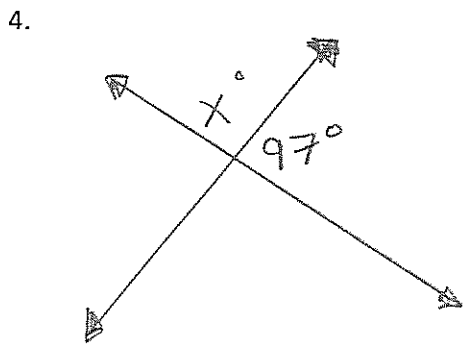
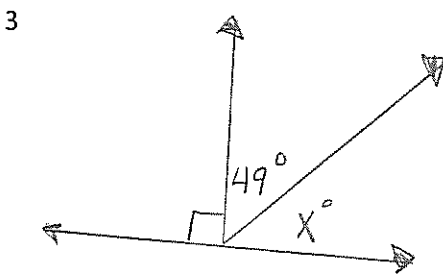
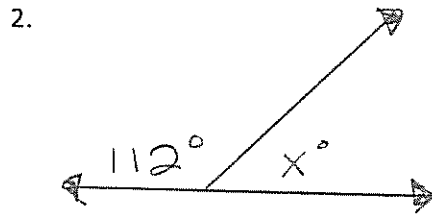
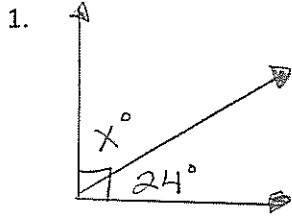
# Angle Relationships #2A

Name: \_\_\_\_\_

Date: \_\_\_\_\_

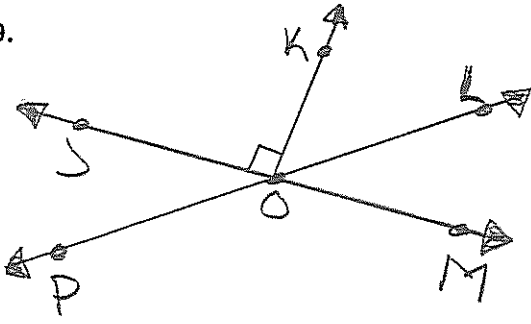
Period: \_\_\_\_

Find the missing angle measurements in each of these diagrams algebraically. Find the unknown by identifying the relationship of the angles.

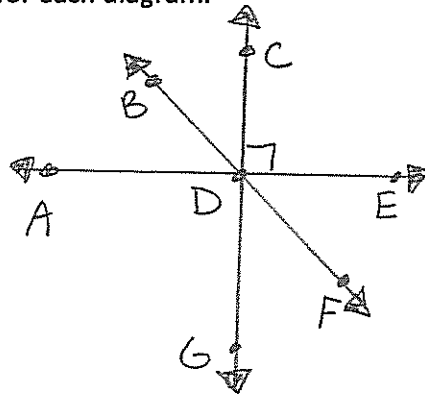


Name a pair of complementary angles AND supplementary angles for each diagram.

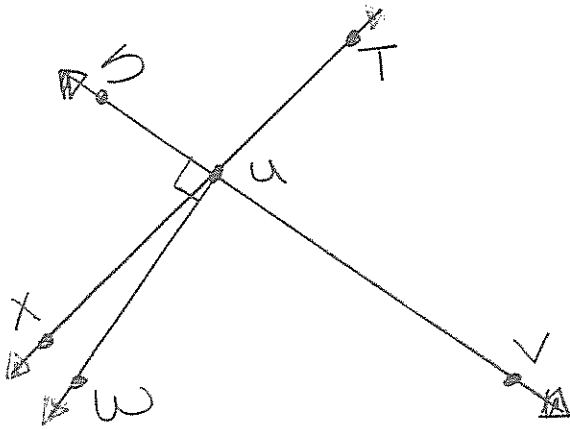
9.



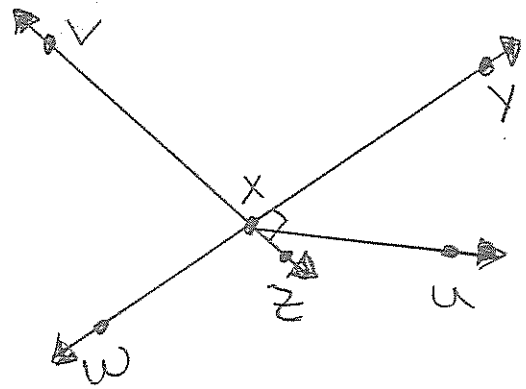
10.



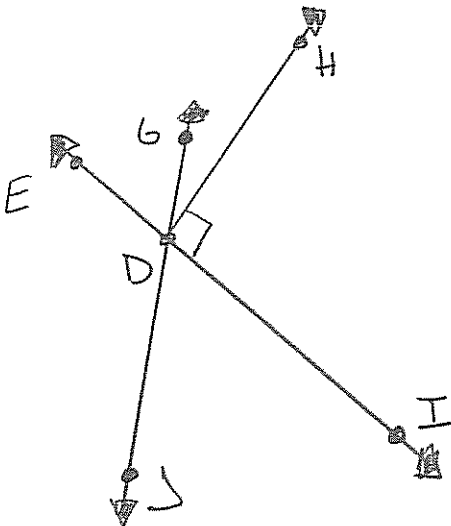
11.



12.



13.



14.

